

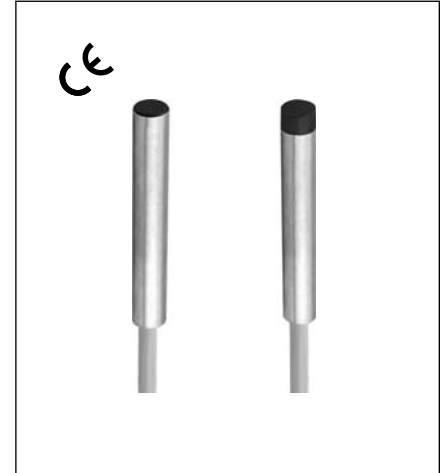
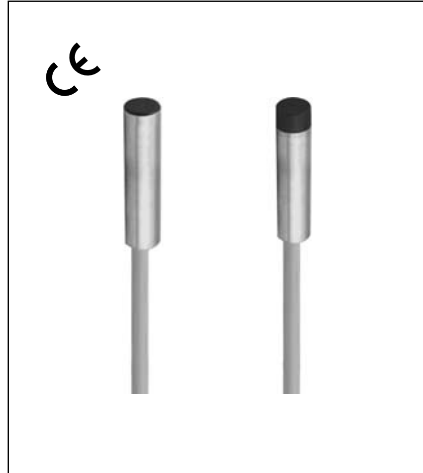
# METAL BARREL INDUCTIVE PROXIMITY SENSOR (10-30VDC/10-55VDC/5-36VDC)

Diameter
● Shielded    ○ non-Shielded
Switching Distance, Sn: mm
Housing Material
● With LED    ○ Without LED

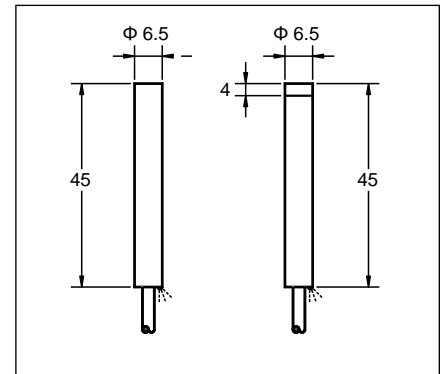
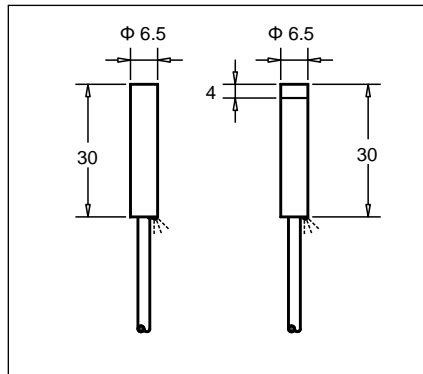
φ 6.5	
●	○
1 mm	2 mm
Stainless steel	
●	

φ 6.5	
●	○
1 mm	2 mm
Stainless steel	
●	

Picture
---------



Dimensions (unit: mm)
-----------------------



Ripple
No Load Current
Max. Load current
Leakage Current
Voltage Drop
Switching Frequency
Response Time
Switching Hysteresis
Repeat Accuracy
Protection Category
Operating Temperature
Temperature Drift
Short Circuit Protection
Overload Trip Point
Material Active Face

<10%
<10mA
200mA
<0.01mA
<1.5V
2KHz
0.1ms/0.1ms
<15%(Sr)
<1.0%(Sr)
IP67
-25°C - +70°C
<10%(Sr)
Yes
220mA
POM

<10%
<10mA
200mA
<0.01mA
<1.5V
2KHz
0.1ms/0.1ms
<15%(Sr)
<1.0%(Sr)
IP67
-25°C - +70°C
<10%(Sr)
Yes
220mA
POM

Connecting type
Weight

2M Cable (2.9 φ 3x0.15)
approx.36 g

2M Cable (2.9 φ 3x0.15)
approx.40 g

DC 3 wire 10-30V NPN N.O.
DC 3 wire 10-30V NPN N.C.
DC 3 wire 10-30V PNP N.O.
DC 3 wire 10-30V PNP N.C.
DC 3 wire 10-55V NPN N.O.
DC 3 wire 10-55V NPN N.C.
DC 3 wire 10-55V PNP N.O.
DC 3 wire 10-55V PNP N.C.
DC 3 wire 5-36 V NPN N.O.
DC 3 wire 5-36 V NPN N.C.
DC 3 wire 5-36 V PNP N.O.
DC 3 wire 5-36 V PNP N.C.

ISS-S6.501N-A1VS2	1*	ISN-S6.502N-A1VS2
ISS-S6.501N-B1VS2	2	ISN-S6.502N-B1VS2
ISS-S6.501P-A1VS2	3	ISN-S6.502P-A1VS2
ISS-S6.501P-B1VS2	4	ISN-S6.502P-B1VS2
ISS-S6.501N-A2VS2	1	ISN-S6.502N-A2VS2
ISS-S6.501N-B2VS2	2	ISN-S6.502N-B2VS2
ISS-S6.501P-A2VS2	3	ISN-S6.502P-A2VS2
ISS-S6.501P-B2VS2	4	ISN-S6.502P-B2VS2

ISS-S6.501N-A1VN2	1*	ISN-S6.502N-A1VN2
ISS-S6.501N-B1VN2	2	ISN-S6.502N-B1VN2
ISS-S6.501P-A1VN2	3	ISN-S6.502P-A1VN2
ISS-S6.501P-B1VN2	4	ISN-S6.502P-B1VN2
ISS-S6.501N-A3VN2	1	ISN-S6.502N-A3VN2
ISS-S6.501N-B3VN2	2	ISN-S6.502N-B3VN2
ISS-S6.501P-A3VN2	3	ISN-S6.502P-A3VN2
ISS-S6.501P-B3VN2	4	ISN-S6.502P-B3VN2
ISS-S6.501N-A2VN2	1	ISN-S6.502N-A2VN2
ISS-S6.501N-B2VN2	2	ISN-S6.502N-B2VN2
ISS-S6.501P-A2VN2	3	ISN-S6.502P-A2VN2
ISS-S6.501P-B2VN2	4	ISN-S6.502P-B2VN2

\* Wiring diagram number. Please see the relevant wiring diagram shown on Page 013 and Page 014.

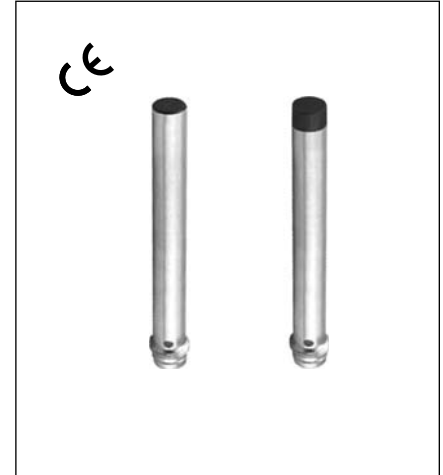
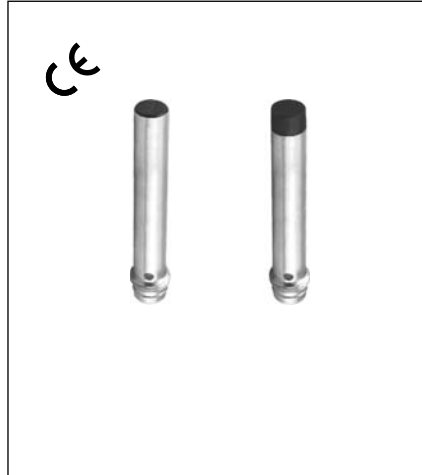
# METAL BARREL INDUCTIVE PROXIMITY SENSOR (10-30VDC/10-55VDC/5-36VDC)

Diameter
● Shielded    ○ non-Shielded
Switching Distance, Sn: mm
Housing Material
● With LED    ○ Without LED

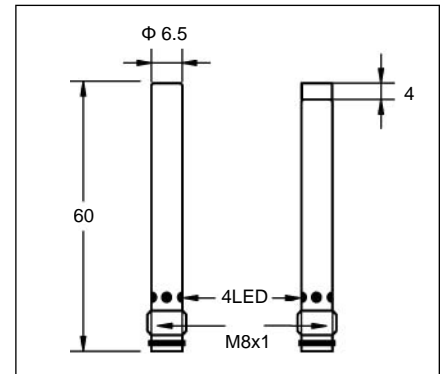
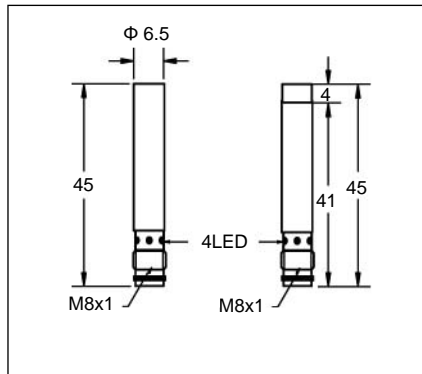
Φ 6.5	
●	○
1 mm	2 mm
Stainless steel	
●	

Φ 6.5	
●	○
1 mm	2 mm
Stainless steel	
●	

Picture
---------



Dimensions (unit: mm)
-----------------------



Ripple
No Load Current
Max. Load current
Leakage Current
Voltage Drop
Switching Frequency
Response Time
Switching Hysteresis
Repeat Accuracy
Protection Category
Operating Temperature
Temperature Drift
Short Circuit Protection
Overload Trip Point
Material Active Face

<10%
<10mA
200mA
<0.01mA
<1.5V
2KHz
0.1ms/0.1ms
<15%(Sr)
<1.0%(Sr)
IP67
-25°C - +70°C
<10%(Sr)
Yes
220mA
POM

<10%
<10mA
200mA
<0.01mA
<1.5V
2KHz
0.1ms/0.1ms
<15%(Sr)
<1.0%(Sr)
IP67
-25°C - +70°C
<10%(Sr)
Yes
220mA
POM

Connecting type
Weight

M8 connector
approx.18 g

M8 connector
approx.18 g

DC 3 wire 10-30V NPN N.O.
DC 3 wire 10-30V NPN N.C.
DC 3 wire 10-30V PNP N.O.
DC 3 wire 10-30V PNP N.C.
DC 3 wire 10-55V NPN N.O.
DC 3 wire 10-55V NPN N.C.
DC 3 wire 10-55V PNP N.O.
DC 3 wire 10-55V PNP N.C.
DC 3 wire 5-36 V NPN N.O.
DC 3 wire 5-36 V NPN N.C.
DC 3 wire 5-36 V PNP N.O.
DC 3 wire 5-36 V PNP N.C.

ISS-S6.501N-A1PS3	1*	ISN-S6.502N-A1PS3
ISS-S6.501N-B1PS3	2	ISN-S6.502N-B1PS3
ISS-S6.501P-A1PS3	3	ISN-S6.502P-A1PS3
ISS-S6.501P-B1PS3	4	ISN-S6.502P-B1PS3
ISS-S6.501N-A2PS3	1	ISN-S6.502N-A2PS3
ISS-S6.501N-B2PS3	2	ISN-S6.502N-B2PS3
ISS-S6.501P-A2PS3	3	ISN-S6.502P-A2PS3
ISS-S6.501P-B2PS3	4	ISN-S6.502P-B2PS3

ISS-S6.501N-A1PN3	1*	ISN-S6.502N-A1PN3
ISS-S6.501N-B1PN3	2	ISN-S6.502N-B1PN3
ISS-S6.501P-A1PN3	3	ISN-S6.502P-A1PN3
ISS-S6.501P-B1PN3	4	ISN-S6.502P-B1PN3
ISS-S6.501N-A3PN3	1	ISN-S6.502N-A3PN3
ISS-S6.501N-B3PN3	2	ISN-S6.502N-B3PN3
ISS-S6.501P-A3PN3	3	ISN-S6.502P-A3PN3
ISS-S6.501P-B3PN3	4	ISN-S6.502P-B3PN3
ISS-S6.501N-A2PN3	1	ISN-S6.502N-A2PN3
ISS-S6.501N-B2PN3	2	ISN-S6.502N-B2PN3
ISS-S6.501P-A2PN3	3	ISN-S6.502P-A2PN3
ISS-S6.501P-B2PN3	4	ISN-S6.502P-B2PN3

\* Wiring diagram number. Please see the relevant wiring diagram shown on Page 013 to Page 015.

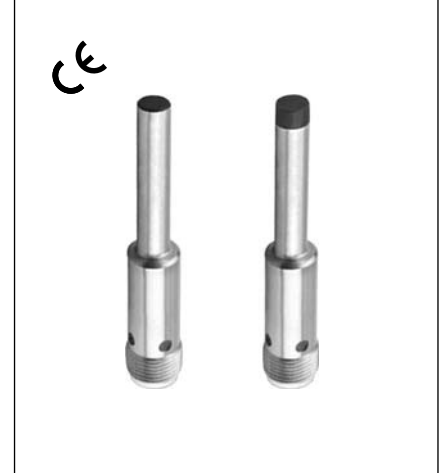
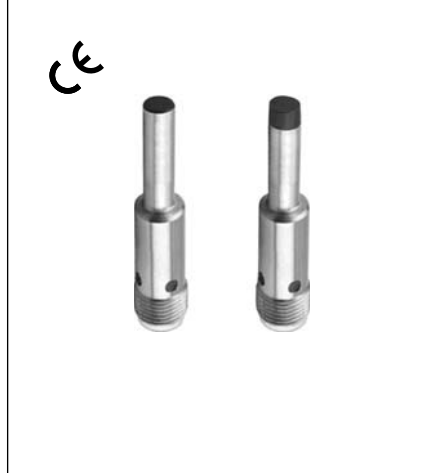
# METAL BARREL INDUCTIVE PROXIMITY SENSOR (10-30VDC/10-55VDC/5-36VDC)

Diameter
● Shielded    ○ non-Shielded
Switching Distance, Sn: mm
Housing Material
● With LED    ○ Without LED

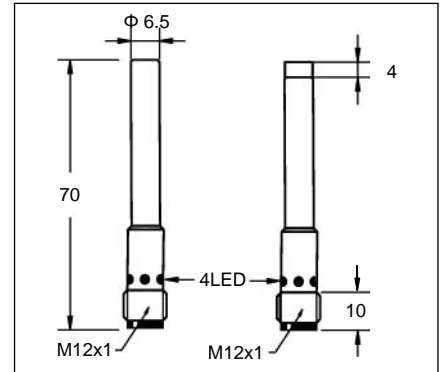
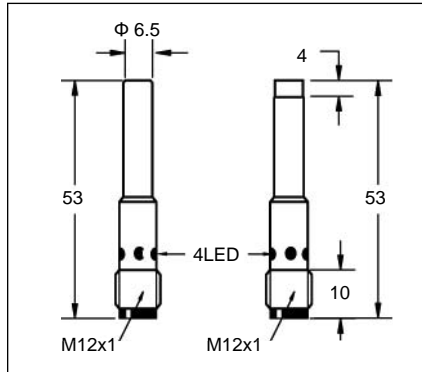
φ 6.5	
●	○
1 mm	2 mm
Stainless steel	
●	

φ 6.5	
●	○
1 mm	2 mm
Stainless steel	
●	

Picture
---------



Dimensions (unit: mm)
-----------------------



Ripple
No Load Current
Max. Load current
Leakage Current
Voltage Drop
Switching Frequency
Response Time
Switching Hysteresis
Repeat Accuracy
Protection Category
Operating Temperature
Temperature Drift
Short Circuit Protection
Overload Trip Point
Material Active Face

<10%
<10mA
200mA
<0.01mA
<1.5V
2KHz
0.1ms/0.1ms
<15%(Sr)
<1.0%(Sr)
IP67
-25°C - +70°C
<10%(Sr)
Yes
220mA
POM

<10%
<10mA
200mA
<0.01mA
<1.5V
2KHz
0.1ms/0.1ms
<15%(Sr)
<1.0%(Sr)
IP67
-25°C - +70°C
<10%(Sr)
Yes
220mA
POM

Connecting type
Weight

M12 connector
approx.20 g

M8 connector
approx.25 g

DC 3 wire 10-30V NPN N.O.
DC 3 wire 10-30V NPN N.C.
DC 3 wire 10-30V PNP N.O.
DC 3 wire 10-30V PNP N.C.
DC 3 wire 10-55V NPN N.O.
DC 3 wire 10-55V NPN N.C.
DC 3 wire 10-55V PNP N.O.
DC 3 wire 10-55V PNP N.C.
DC 3 wire 5-36 V NPN N.O.
DC 3 wire 5-36 V NPN N.C.
DC 3 wire 5-36 V PNP N.O.
DC 3 wire 5-36 V PNP N.C.

ISS-S6.501N-A1ES4	1*	ISN-S6.502N-A1ES4
ISS-S6.501N-B1ES4	2	ISN-S6.502N-B1ES4
ISS-S6.501P-A1ES4	3	ISN-S6.502P-A1ES4
ISS-S6.501P-B1ES4	4	ISN-S6.502P-B1ES4
ISS-S6.501N-A2ES4	1	ISN-S6.502N-A2ES4
ISS-S6.501N-B2ES4	2	ISN-S6.502N-B2ES4
ISS-S6.501P-A2ES4	3	ISN-S6.502P-A2ES4
ISS-S6.501P-B2ES4	4	ISN-S6.502P-B2ES4

ISS-S6.501N-A1EN4	1*	ISN-S6.502N-A1EN4
ISS-S6.501N-B1EN4	2	ISN-S6.502N-B1EN4
ISS-S6.501P-A1EN4	3	ISN-S6.502P-A1EN4
ISS-S6.501P-B1EN4	4	ISN-S6.502P-B1EN4
ISS-S6.501N-A3EN4	1	ISN-S6.502N-A3EN4
ISS-S6.501N-B3EN4	2	ISN-S6.502N-B3EN4
ISS-S6.501P-A3EN4	3	ISN-S6.502P-A3EN4
ISS-S6.501P-B3EN4	4	ISN-S6.502P-B3EN4
ISS-S6.501N-A2EN4	1	ISN-S6.502N-A2EN4
ISS-S6.501N-B2EN4	2	ISN-S6.502N-B2EN4
ISS-S6.501P-A2EN4	3	ISN-S6.502P-A2EN4
ISS-S6.501P-B2EN4	4	ISN-S6.502P-B2EN4

\* Wiring diagram number. Please see the relevant wiring diagram shown on Page 013 to Page 015.

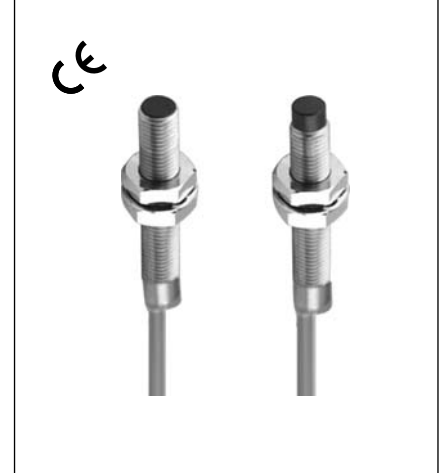
# METAL BARREL INDUCTIVE PROXIMITY SENSOR (10-30VDC/10-55VDC/5-36VDC)

Diameter
● Shielded    ○ non-Shielded
Switching Distance, Sn: mm
Housing Material
● With LED    ○ Without LED

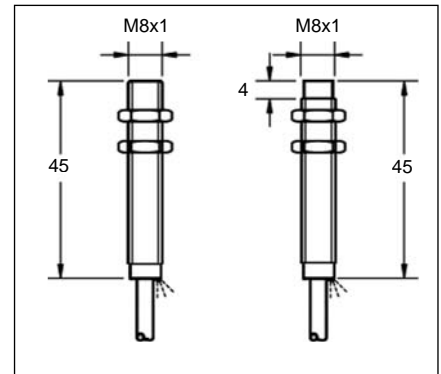
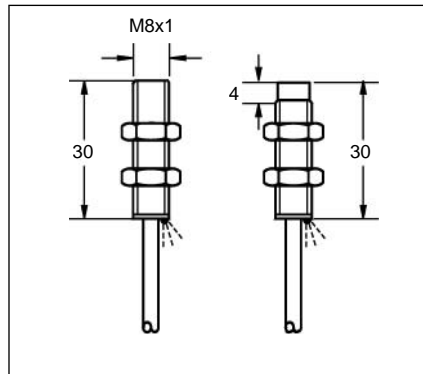
M8	
●	○
1 mm	2 mm
Stainless steel or Nickel plated brass	
●	

M8	
●	○
1 mm	2 mm
Stainless steel or Nickel plated brass	
●	

Picture
---------



Dimensions (unit: mm)
-----------------------



Ripple
No Load Current
Max. Load current
Leakage Current
Voltage Drop
Switching Frequency
Response Time
Switching Hysteresis
Repeat Accuracy
Protection Category
Operating Temperature
Temperature Drift
Short Circuit Protection
Overload Trip Point
Material Active Face

<10%
<10mA
200mA
<0.01mA
<1.5V
2KHz
0.1ms/0.1ms
<15%(Sr)
<1.0%(Sr)
IP67
-25°C - +70°C
<10%(Sr)
Yes
220mA
POM

<10%
<10mA
200mA
<0.01mA
<1.5V
2KHz
0.1ms/0.1ms
<15%(Sr)
<1.0%(Sr)
IP67
-25°C - +70°C
<10%(Sr)
Yes
220mA
POM

Connecting type
Weight

2M Cable (2.9 φ 3x0.15)
approx.40 g

2M Cable (2.9 φ 3x0.15)
approx.53 g

DC 3 wire 10-30V NPN N.O.
DC 3 wire 10-30V NPN N.C.
DC 3 wire 10-30V PNP N.O.
DC 3 wire 10-30V PNP N.C.
DC 3 wire 10-55V NPN N.O.
DC 3 wire 10-55V NPN N.C.
DC 3 wire 10-55V PNP N.O.
DC 3 wire 10-55V PNP N.C.
DC 3 wire 5-36 V NPN N.O.
DC 3 wire 5-36 V NPN N.C.
DC 3 wire 5-36 V PNP N.O.
DC 3 wire 5-36 V PNP N.C.

ISS-M801N-A1VS2	1*	ISN-M802N-A1VS2
ISS-M801N-B1VS2	2	ISN-M802N-B1VS2
ISS-M801P-A1VS2	3	ISN-M802P-A1VS2
ISS-M801P-B1VS2	4	ISN-M802P-B1VS2
ISS-M801N-A2VS2	1	ISN-M802N-A2VS2
ISS-M801N-B2VS2	2	ISN-M802N-B2VS2
ISS-M801P-A2VS2	3	ISN-M802P-A2VS2
ISS-M801P-B2VS2	4	ISN-M802P-B2VS2

ISS-M801N-A1VN2	1*	ISN-M802N-A1VN2
ISS-M801N-B1VN2	2	ISN-M802N-B1VN2
ISS-M801P-A1VN2	3	ISN-M802P-A1VN2
ISS-M801P-B1VN2	4	ISN-M802P-B1VN2
ISS-M801N-A3VN2	1	ISN-M802N-A3VN2
ISS-M801N-B3VN2	2	ISN-M802N-B3VN2
ISS-M801P-A3VN2	3	ISN-M802P-A3VN2
ISS-M801P-B3VN2	4	ISN-M802P-B3VN2
ISS-M801N-A2VN2	1	ISN-M802N-A2VN2
ISS-M801N-B2VN2	2	ISN-M802N-B2VN2
ISS-M801P-A2VN2	3	ISN-M802P-A2VN2
ISS-M801P-B2VN2	4	ISN-M802P-B2VN2

\* Wiring diagram number. Please see the relevant wiring diagram shown on Page 013 and Page 014.

# M8 SERIES PHOTOELECTRIC SENSOR

Diameter
● Shielded    ○ non-Shielded
Switching Distance, Sn: mm
Housing Material
● With LED    ○ Without LED

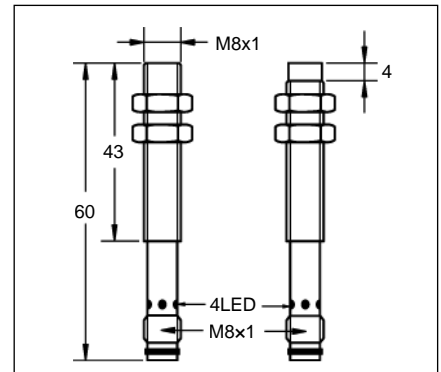
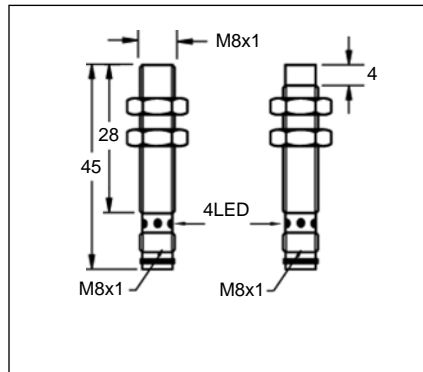
M8	
●	○
1 mm	2 mm
Stainless steel or Nickel plated brass	
●	

M8	
●	○
1 mm	2 mm
Stainless steel or Nickel plated brass	
●	

Picture



Dimensions (unit: mm)



Ripple
No Load Current
Max. Load current
Leakage Current
Voltage Drop
Switching Frequency
Response Time
Switching Hysteresis
Repeat Accuracy
Protection Category
Operating Temperature
Temperature Drift
Short Circuit Protection
Overload Trip Point
Material Active Face

<10%
<10mA
200mA
<0.01mA
<1.5V
2KHz
0.1ms/0.1ms
<15%(Sr)
<1.0%(Sr)
IP67
-25°C - +70°C
<10%(Sr)
Yes
220mA
POM

<10%
<10mA
200mA
<0.01mA
<1.5V
2KHz
0.1ms/0.1ms
<15%(Sr)
<1.0%(Sr)
IP67
-25°C - +70°C
<10%(Sr)
Yes
220mA
POM

Connecting type
Weight

M8 connector
approx.15 g

M8 connector
approx.18 g

DC 3 wire 10-30V NPN N.O.
DC 3 wire 10-30V NPN N.C.
DC 3 wire 10-30V PNP N.O.
DC 3 wire 10-30V PNP N.C.
DC 3 wire 10-55V NPN N.O.
DC 3 wire 10-55V NPN N.C.
DC 3 wire 10-55V PNP N.O.
DC 3 wire 10-55V PNP N.C.
DC 3 wire 5-36 V NPN N.O.
DC 3 wire 5-36 V NPN N.C.
DC 3 wire 5-36 V PNP N.O.
DC 3 wire 5-36 V PNP N.C.

ISS-M801N-A1PS3	1*	ISN-M802N-A1PS3
ISS-M801N-B1PS3	2	ISN-M802N-B1PS3
ISS-M801P-A1PS3	3	ISN-M802P-A1PS3
ISS-M801P-B1PS3	4	ISN-M802P-B1PS3
ISS-M801N-A2PS3	1	ISN-M802N-A2PS3
ISS-M801N-B2PS3	2	ISN-M802N-B2PS3
ISS-M801P-A2PS3	3	ISN-M802P-A2PS3
ISS-M801P-B2PS3	4	ISN-M802P-B2PS3

ISS-M801N-A1PN3	1*	ISN-M802N-A1PN3
ISS-M801N-B1PN3	2	ISN-M802N-B1PN3
ISS-M801P-A1PN3	3	ISN-M802P-A1PN3
ISS-M801P-B1PN3	4	ISN-M802P-B1PN3
ISS-M801N-A3PN3	1	ISN-M802N-A3PN3
ISS-M801N-B3PN3	2	ISN-M802N-B3PN3
ISS-M801P-A3PN3	3	ISN-M802P-A3PN3
ISS-M801P-B3PN3	4	ISN-M802P-B3PN3
ISS-M801N-A2PN3	1	ISN-M802N-A2PN3
ISS-M801N-B2PN3	2	ISN-M802N-B2PN3
ISS-M801P-A2PN3	3	ISN-M802P-A2PN3
ISS-M801P-B2PN3	4	ISN-M802P-B2PN3

\* Wiring diagram number. Please see the relevant wiring diagram shown on Page 013 to Page 015.

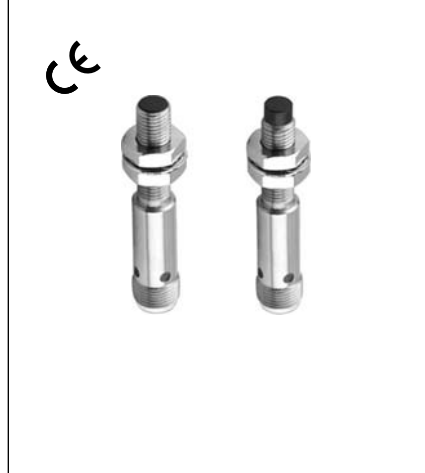
# METAL BARREL INDUCTIVE PROXIMITY SENSOR (10-30VDC/10-55VDC/5-36VDC)

Diameter
● Shielded    ○ non-Shielded
Switching Distance, Sn: mm
Housing Material
● With LED    ○ Without LED

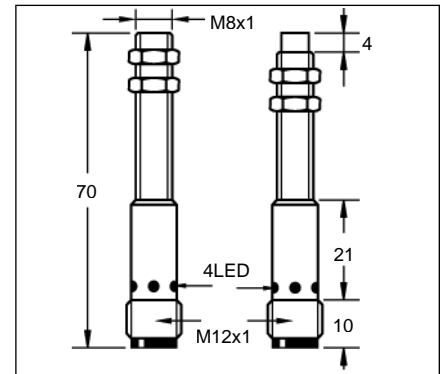
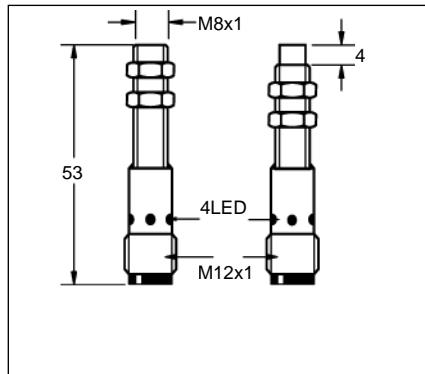
M8	
●	○
1 mm	2 mm
Nickel plated brass	

M8	
●	○
1 mm	2 mm
Nickel plated brass	

Picture



Dimensions (unit: mm)



Ripple
No Load Current
Max. Load current
Leakage Current
Voltage Drop
Switching Frequency
Response Time
Switching Hysteresis
Repeat Accuracy
Protection Category
Operating Temperature
Temperature Drift
Short Circuit Protection
Overload Trip Point
Material Active Face

<10%
<10mA
200mA
<0.01mA
<1.5V
2KHz
0.1ms/0.1ms
<15%(Sr)
<1.0%(Sr)
IP67
-25°C - +70°C
<10%(Sr)
Yes
220mA
POM

<10%
<10mA
200mA
<0.01mA
<1.5V
2KHz
0.1ms/0.1ms
<15%(Sr)
<1.0%(Sr)
IP67
-25°C - +70°C
<10%(Sr)
Yes
220mA
POM

Connecting type
Weight

M12 connector
approx.18 g

M12 connector
approx.25 g

DC 3 wire 10-30V NPN N.O.
DC 3 wire 10-30V NPN N.C.
DC 3 wire 10-30V PNP N.O.
DC 3 wire 10-30V PNP N.C.
DC 3 wire 10-55V NPN N.O.
DC 3 wire 10-55V NPN N.C.
DC 3 wire 10-55V PNP N.O.
DC 3 wire 10-55V PNP N.C.
DC 3 wire 5-36 V NPN N.O.
DC 3 wire 5-36 V NPN N.C.
DC 3 wire 5-36 V PNP N.O.
DC 3 wire 5-36 V PNP N.C.

IBS-M801N-A1ES4	1*	IBN-M802N-A1ES4
IBS-M801N-B1ES4	2	IBN-M802N-B1ES4
IBS-M801P-A1ES4	3	IBN-M802P-A1ES4
IBS-M801P-B1ES4	4	IBN-M802P-B1ES4
IBS-M801N-A2ES4	1	IBN-M802N-A2ES4
IBS-M801N-B2ES4	2	IBN-M802N-B2ES4
IBS-M801P-A2ES4	3	IBN-M802P-A2ES4
IBS-M801P-B2ES4	4	IBN-M802P-B2ES4

IBS-M801N-A1EN4	1*	IBN-M802N-A1EN4
IBS-M801N-B1EN4	2	IBN-M802N-B1EN4
IBS-M801P-A1EN4	3	IBN-M802P-A1EN4
IBS-M801P-B1EN4	4	IBN-M802P-B1EN4
IBS-M801N-A3EN4	1	IBN-M802N-A3EN4
IBS-M801N-B3EN4	2	IBN-M802N-B3EN4
IBS-M801P-A3EN4	3	IBN-M802P-A3EN4
IBS-M801P-B3EN4	4	IBN-M802P-B3EN4
IBS-M801N-A2EN4	1	IBN-M802N-A2EN4
IBS-M801N-B2EN4	2	IBN-M802N-B2EN4
IBS-M801P-A2EN4	3	IBN-M802P-A2EN4
IBS-M801P-B2EN4	4	IBN-M802P-B2EN4

\* Wiring diagram number. Please see the relevant wiring diagram shown on Page 013 and Page 014.

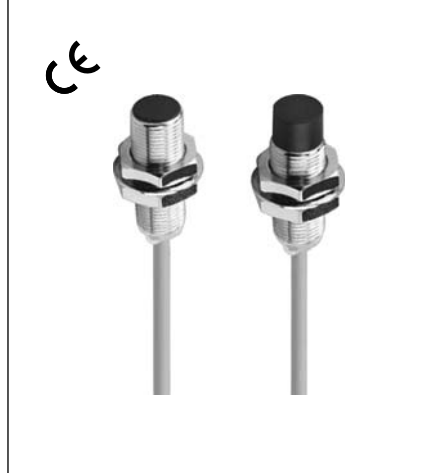
# METAL BARREL INDUCTIVE PROXIMITY SENSOR (10-30VDC/10-55VDC/5-36VDC)

Diameter
● Shielded    ○ non-Shielded
Switching Distance, Sn: mm
Housing Material
● With LED    ○ Without LED

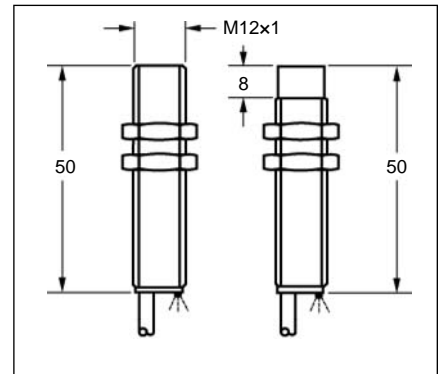
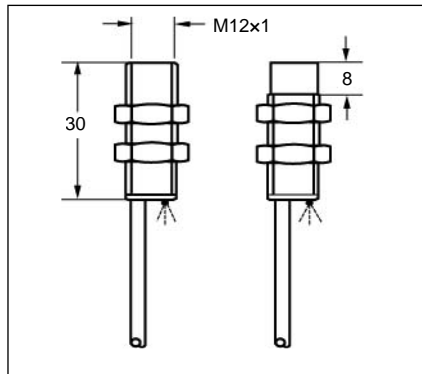
M12	
●	○
2 mm	4 mm
Nickel plated brass	
●	

M12	
●	○
2 mm	4 mm
Nickel plated brass	
●	

Picture
---------



Dimensions (unit: mm)
-----------------------



Ripple
No Load Current
Max. Load current
Leakage Current
Voltage Drop
Switching Frequency
Response Time
Switching Hysteresis
Repeat Accuracy
Protection Category
Operating Temperature
Temperature Drift
Short Circuit Protection
Overload Trip Point
Material Active Face

<10%
<10mA
200mA
<0.01mA
<1.5V
2KHz    1KHz
0.1ms/0.1ms    0.2ms/0.2ms
<15%(Sr)
<1.0%(Sr)
IP67
-25°C - +70°C
<10%(Sr)
Yes
220mA
POM    PBT

<10%
<10mA
200mA
<0.01mA
<1.5V
2KHz    1KHz
0.1ms/0.1ms    0.2ms/0.2ms
<15%(Sr)
<1.0%(Sr)
IP67
-25°C - +70°C
<10%(Sr)
Yes
220mA
POM    PBT

Connecting type
Weight

2M Cable (4.0 φ 3x0.25)
approx.60 g

2M Cable (4.0 φ 3x0.25)
approx.65 g

DC 3 wire 10-30V NPN N.O.
DC 3 wire 10-30V NPN N.C.
DC 3 wire 10-30V PNP N.O.
DC 3 wire 10-30V PNP N.C.
DC 3 wire 10-55V NPN N.O.
DC 3 wire 10-55V NPN N.C.
DC 3 wire 10-55V PNP N.O.
DC 3 wire 10-55V PNP N.C.
DC 3 wire 5-36 V NPN N.O.
DC 3 wire 5-36 V NPN N.C.
DC 3 wire 5-36 V PNP N.O.
DC 3 wire 5-36 V PNP N.C.

IBS-M1202N-A1VS2	1*	IBN-M1204N-A1VS2
IBS-M1202N-B1VS2	2	IBN-M1204N-B1VS2
IBS-M1202P-A1VS2	3	IBN-M1204P-A1VS2
IBS-M1202P-B1VS2	4	IBN-M1204P-B1VS2
IBS-M1202N-A3VS2	1	IBN-M1204N-A3VS2
IBS-M1202N-B3VS2	2	IBN-M1204N-B3VS2
IBS-M1202P-A3VS2	3	IBN-M1204P-A3VS2
IBS-M1202P-B3VS2	4	IBN-M1204P-B3VS2
IBS-M1202N-A2VS2	1	IBN-M1204N-A2VS2
IBS-M1202N-B2VS2	2	IBN-M1204N-B2VS2
IBS-M1202P-A2VS2	3	IBN-M1204P-A2VS2
IBS-M1202P-B2VS2	4	IBN-M1204P-B2VS2

IBS-M1202N-A1VN2	1*	IBN-M1204N-A1VN2
IBS-M1202N-B1VN2	2	IBN-M1204N-B1VN2
IBS-M1202P-A1VN2	3	IBN-M1204P-A1VN2
IBS-M1202P-B1VN2	4	IBN-M1204P-B1VN2
IBS-M1202N-A3VN2	1	IBN-M1204N-A3VN2
IBS-M1202N-B3VN2	2	IBN-M1204N-B3VN2
IBS-M1202P-A3VN2	3	IBN-M1204P-A3VN2
IBS-M1202P-B3VN2	4	IBN-M1204P-B3VN2
IBS-M1202N-A2VN2	1	IBN-M1204N-A2VN2
IBS-M1202N-B2VN2	2	IBN-M1204N-B2VN2
IBS-M1202P-A2VN2	3	IBN-M1204P-A2VN2
IBS-M1202P-B2VN2	4	IBN-M1204P-B2VN2

\* Wiring diagram number. Please see the relevant wiring diagram shown on Page 013 to Page 015.

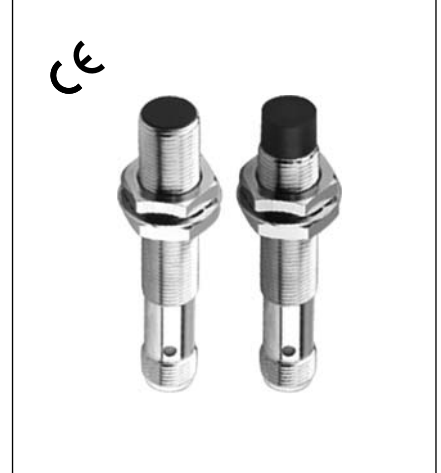
# METAL BARREL INDUCTIVE PROXIMITY SENSOR (10-30VDC/10-55VDC/5-36VDC)

Diameter
● Shielded    ○ non-Shielded
Switching Distance, Sn: mm
Housing Material
● With LED    ○ Without LED

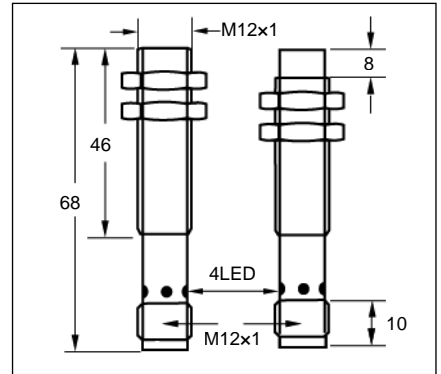
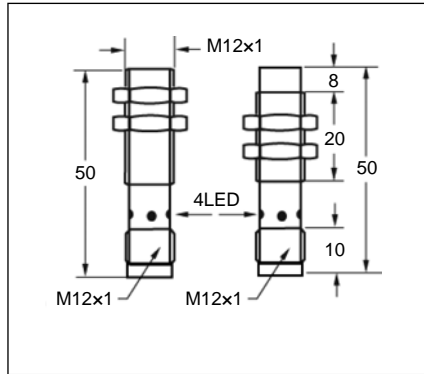
M12	
●	○
2 mm	4 mm
Nickel plated brass	
●	

M12	
●	○
2 mm	4 mm
Nickel plated brass	
●	

Picture



Dimensions (unit: mm)



Ripple	<10%
No Load Current	<10mA
Max. Load current	200mA
Leakage Current	<0.01mA
Voltage Drop	<1.5V
Switching Frequency	2KHz    1KHz
Response Time	0.1ms/0.1ms    0.2ms/0.2ms
Switching Hysteresis	<15%(Sr)
Repeat Accuracy	<1.0%(Sr)
Protection Category	IP67
Operating Temperature	-25°C - +70°C
Temperature Drift	<10%(Sr)
Short Circuit Protection	Yes
Overload Trip Point	220mA
Material Active Face	POM    PBT

<10%
<10mA
200mA
<0.01mA
<1.5V
2KHz    1KHz
0.1ms/0.1ms    0.2ms/0.2ms
<15%(Sr)
<1.0%(Sr)
IP67
-25°C - +70°C
<10%(Sr)
Yes
220mA
POM    PBT

<10%
<10mA
200mA
<0.01mA
<1.5V
2KHz    1KHz
0.1ms/0.1ms    0.2ms/0.2ms
<15%(Sr)
<1.0%(Sr)
IP67
-25°C - +70°C
<10%(Sr)
Yes
220mA
POM    PBT

Connecting type	M12 connector
Weight	approx.25 g

M12 connector
approx.25 g

M12 connector
approx.30 g

DC 3 wire 10-30V NPN N.O.
DC 3 wire 10-30V NPN N.C.
DC 3 wire 10-30V PNP N.O.
DC 3 wire 10-30V PNP N.C.
DC 3 wire 10-55V NPN N.O.
DC 3 wire 10-55V NPN N.C.
DC 3 wire 10-55V PNP N.O.
DC 3 wire 10-55V PNP N.C.
DC 3 wire 5-36 V NPN N.O.
DC 3 wire 5-36 V NPN N.C.
DC 3 wire 5-36 V PNP N.O.
DC 3 wire 5-36 V PNP N.C.

IBS-M1202N-A1ES4	1*	IBN-M1204N-A1ES4
IBS-M1202N-B1ES4	2	IBN-M1204N-B1ES4
IBS-M1202P-A1ES4	3	IBN-M1204P-A1ES4
IBS-M1202P-B1ES4	4	IBN-M1204P-B1ES4
IBS-M1202N-A3ES4	1	IBN-M1204N-A3ES4
IBS-M1202N-B3ES4	2	IBN-M1204N-B3ES4
IBS-M1202P-A3ES4	3	IBN-M1204P-A3ES4
IBS-M1202P-B3ES4	4	IBN-M1204P-B3ES4
IBS-M1202N-A2ES4	1	IBN-M1204N-A2ES4
IBS-M1202N-B2ES4	2	IBN-M1204N-B2ES4
IBS-M1202P-A2ES4	3	IBN-M1204P-A2ES4
IBS-M1202P-B2ES4	4	IBN-M1204P-B2ES4

IBS-M1202N-A1EN4	1*	IBN-M1204N-A1EN4
IBS-M1202N-B1EN4	2	IBN-M1204N-B1EN4
IBS-M1202P-A1EN4	3	IBN-M1204P-A1EN4
IBS-M1202P-B1EN4	4	IBN-M1204P-B1EN4
IBS-M1202N-A3EN4	1	IBN-M1204N-A3EN4
IBS-M1202N-B3EN4	2	IBN-M1204N-B3EN4
IBS-M1202P-A3EN4	3	IBN-M1204P-A3EN4
IBS-M1202P-B3EN4	4	IBN-M1204P-B3EN4
IBS-M1202N-A2EN4	1	IBN-M1204N-A2EN4
IBS-M1202N-B2EN4	2	IBN-M1204N-B2EN4
IBS-M1202P-A2EN4	3	IBN-M1204P-A2EN4
IBS-M1202P-B2EN4	4	IBN-M1204P-B2EN4

\* Wiring diagram number. Please see the relevant wiring diagram shown on Page 013 and Page 014.



# METAL BARREL INDUCTIVE PROXIMITY SENSOR (10-30VDC/10-55VDC/5-36VDC)

Diameter
● Shielded    ○ non-Shielded
Switching Distance, Sn: mm
Housing Material
● With LED    ○ Without LED

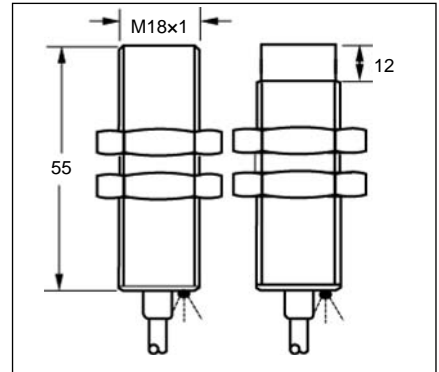
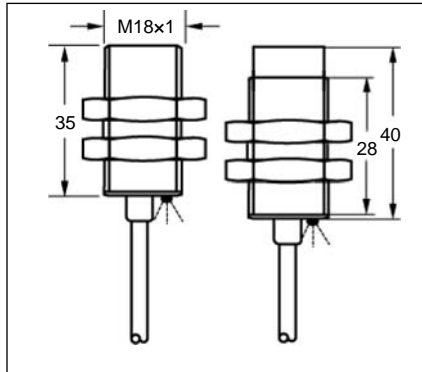
M18	
●	○
5 mm	8 mm
Nickel plated brass	
●	

M18	
●	○
5 mm	8 mm
Nickel plated brass	
●	

Picture
---------



Dimensions (unit: mm)
-----------------------



Ripple
No Load Current
Max. Load current
Leakage Current
Voltage Drop
Switching Frequency
Response Time
Switching Hysteresis
Repeat Accuracy
Protection Category
Operating Temperature
Temperature Drift
Short Circuit Protection
Overload Trip Point
Material Active Face

<10%
<10mA
200mA
<0.01mA
<1.5V
1KHz    500Hz
0.2ms/0.2ms    0.5ms/0.5ms
<15%(Sr)
<1.0%(Sr)
IP67
-25°C - +70°C
<10%(Sr)
Yes
220mA
PBT

<10%
<10mA
200mA
<0.01mA
<1.5V
1KHz    500Hz
0.2ms/0.2ms    0.5ms/0.5ms
<15%(Sr)
<1.0%(Sr)
IP67
-25°C - +70°C
<10%(Sr)
Yes
220mA
PBT

Connecting type
Weight

2M Cable (5.0 φ 3x0.34)
approx.130 g

2M Cable (5.0 φ 3x0.34)
approx.150 g

DC 3 wire 10-30V NPN N.O.
DC 3 wire 10-30V NPN N.C.
DC 3 wire 10-30V PNP N.O.
DC 3 wire 10-30V PNP N.C.
DC 3 wire 10-55V NPN N.O.
DC 3 wire 10-55V NPN N.C.
DC 3 wire 10-55V PNP N.O.
DC 3 wire 10-55V PNP N.C.
DC 3 wire 5-36 V NPN N.O.
DC 3 wire 5-36 V NPN N.C.
DC 3 wire 5-36 V PNP N.O.
DC 3 wire 5-36 V PNP N.C.

IBS-M1805N-A1VS2	1*	IBN-M1808N-A1VS2
IBS-M1805N-B1VS2	2	IBN-M1808N-B1VS2
IBS-M1805P-A1VS2	3	IBN-M1808P-A1VS2
IBS-M1805P-B1VS2	4	IBN-M1808P-B1VS2
IBS-M1805N-A3VS2	1	IBN-M1808N-A3VS2
IBS-M1805N-B3VS2	2	IBN-M1808N-B3VS2
IBS-M1805P-A3VS2	3	IBN-M1808P-A3VS2
IBS-M1805P-B3VS2	4	IBN-M1808P-B3VS2
IBS-M1805N-A2VS2	1	IBN-M1808N-A2VS2
IBS-M1805N-B2VS2	2	IBN-M1808N-B2VS2
IBS-M1805P-A2VS2	3	IBN-M1808P-A2VS2
IBS-M1805P-B2VS2	4	IBN-M1808P-B2VS2

IBS-M1805N-A1VN2	1*	IBN-M1808N-A1VN2
IBS-M1805N-B1VN2	2	IBN-M1808N-B1VN2
IBS-M1805P-A1VN2	3	IBN-M1808P-A1VN2
IBS-M1805P-B1VN2	4	IBN-M1808P-B1VN2
IBS-M1805N-A3VN2	1	IBN-M1808N-A3VN2
IBS-M1805N-B3VN2	2	IBN-M1808N-B3VN2
IBS-M1805P-A3VN2	3	IBN-M1808P-A3VN2
IBS-M1805P-B3VN2	4	IBN-M1808P-B3VN2
IBS-M1805N-A2VN2	1	IBN-M1808N-A2VN2
IBS-M1805N-B2VN2	2	IBN-M1808N-B2VN2
IBS-M1805P-A2VN2	3	IBN-M1808P-A2VN2
IBS-M1805P-B2VN2	4	IBN-M1808P-B2VN2

\* Wiring diagram number. Please see the relevant wiring diagram shown on Page 013 and Page 014.

# METAL BARREL INDUCTIVE PROXIMITY SENSOR (10-30VDC/10-55VDC/5-36VDC)

Diameter
● Shielded    ○ non-Shielded
Switching Distance, Sn: mm
Housing Material
● With LED    ○ Without LED

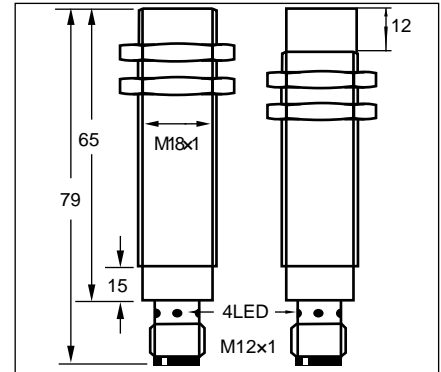
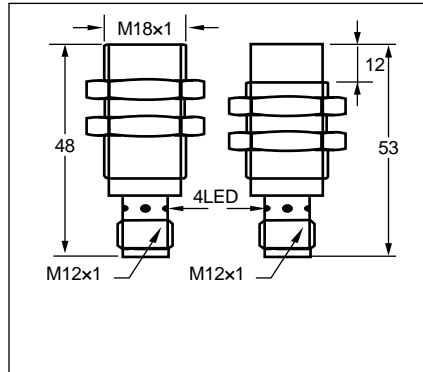
M18	
●	○
5 mm	8 mm
Nickel plated brass	
●	

M18	
●	○
5 mm	8 mm
Nickel plated brass	
●	

Picture
---------



Dimensions (unit: mm)
-----------------------



Ripple
No Load Current
Max. Load current
Leakage Current
Voltage Drop
Switching Frequency
Response Time
Switching Hysteresis
Repeat Accuracy
Protection Category
Operating Temperature
Temperature Drift
Short Circuit Protection
Overload Trip Point
Material Active Face

<10%
<10mA
200mA
<0.01mA
<1.5V
1KHz    500Hz
0.2ms/0.2ms    0.5ms/0.5ms
<15%(Sr)
<1.0%(Sr)
IP67
-25°C - +70°C
<10%(Sr)
Yes
220mA
PBT

<10%
<10mA
200mA
<0.01mA
<1.5V
1KHz    500Hz
0.2ms/0.2ms    0.5ms/0.5ms
<15%(Sr)
<1.0%(Sr)
IP67
-25°C - +70°C
<10%(Sr)
Yes
220mA
PBT

Connecting type
Weight

M12 connector
approx.52 g

M12 connector
approx.95 g

DC 3 wire 10-30V NPN N.O.
DC 3 wire 10-30V NPN N.C.
DC 3 wire 10-30V PNP N.O.
DC 3 wire 10-30V PNP N.C.
DC 3 wire 10-55V NPN N.O.
DC 3 wire 10-55V NPN N.C.
DC 3 wire 10-55V PNP N.O.
DC 3 wire 10-55V PNP N.C.
DC 3 wire 5-36 V NPN N.O.
DC 3 wire 5-36 V NPN N.C.
DC 3 wire 5-36 V PNP N.O.
DC 3 wire 5-36 V PNP N.C.

IBS-M1805N-A1ES4	1*	IBN-M1808N-A1ES4
IBS-M1805N-B1ES4	2	IBN-M1808N-B1ES4
IBS-M1805P-A1ES4	3	IBN-M1808P-A1ES4
IBS-M1805P-B1ES4	4	IBN-M1808P-B1ES4
IBS-M1805N-A3ES4	1	IBN-M1808N-A3ES4
IBS-M1805N-B3ES4	2	IBN-M1808N-B3ES4
IBS-M1805P-A3ES4	3	IBN-M1808P-A3ES4
IBS-M1805P-B3ES4	4	IBN-M1808P-B3ES4
IBS-M1805N-A2ES4	1	IBN-M1808N-A2ES4
IBS-M1805N-B2ES4	2	IBN-M1808N-B2ES4
IBS-M1805P-A2ES4	3	IBN-M1808P-A2ES4
IBS-M1805P-B2ES4	4	IBN-M1808P-B2ES4

IBS-M1805N-A1EN4	1*	IBN-M1808N-A1EN4
IBS-M1805N-B1EN4	2	IBN-M1808N-B1EN4
IBS-M1805P-A1EN4	3	IBN-M1808P-A1EN4
IBS-M1805P-B1EN4	4	IBN-M1808P-B1EN4
IBS-M1805N-A3EN4	1	IBN-M1808N-A3EN4
IBS-M1805N-B3EN4	2	IBN-M1808N-B3EN4
IBS-M1805P-A3EN4	3	IBN-M1808P-A3EN4
IBS-M1805P-B3EN4	4	IBN-M1808P-B3EN4
IBS-M1805N-A2EN4	1	IBN-M1808N-A2EN4
IBS-M1805N-B2EN4	2	IBN-M1808N-B2EN4
IBS-M1805P-A2EN4	3	IBN-M1808P-A2EN4
IBS-M1805P-B2EN4	4	IBN-M1808P-B2EN4

\* Wiring diagram number. Please see the relevant wiring diagram shown on Page 013 to Page 015.

# METAL BARREL INDUCTIVE PROXIMITY SENSOR (10-30VDC/10-55VDC/5-36VDC)

Diameter
● Shielded    ○ non-Shielded
Switching Distance, Sn: mm
Housing Material
● With LED    ○ Without LED

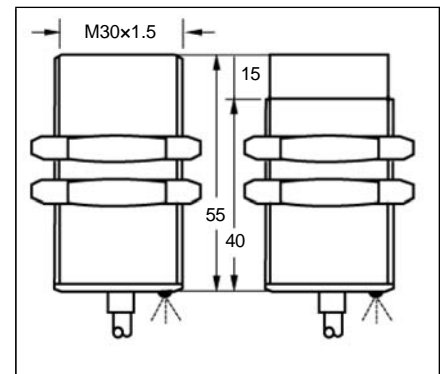
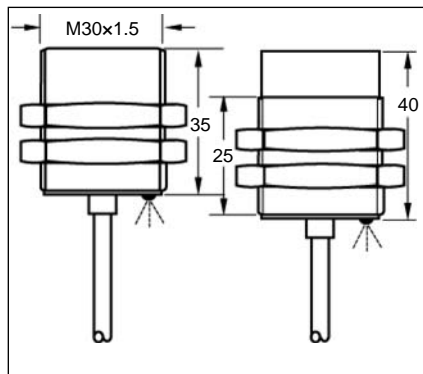
M30	
●	○
10 mm	15 mm
Nickel plated brass	
●	

M30	
●	○
10 mm	15 mm
Nickel plated brass	
●	

Picture
---------



Dimensions (unit: mm)
-----------------------



Ripple
No Load Current
Max. Load current
Leakage Current
Voltage Drop
Switching Frequency
Response Time
Switching Hysteresis
Repeat Accuracy
Protection Category
Operating Temperature
Temperature Drift
Short Circuit Protection
Overload Trip Point
Material Active Face

<10%
<10mA
200mA
<0.01mA
<1.5V
300Hz    150Hz
0.5ms/0.5ms    1ms/1ms
<15%(Sr)
<1.0%(Sr)
IP67
-25°C - +70°C
<10%(Sr)
Yes
220mA
PBT

<10%
<10mA
200mA
<0.01mA
<1.5V
300Hz    150Hz
0.5ms/0.5ms    1ms/1ms
<15%(Sr)
<1.0%(Sr)
IP67
-25°C - +70°C
<10%(Sr)
Yes
220mA
PBT

Connecting type
Weight

2M Cable (5.0 φ 3x0.34)
approx.182 g

2M Cable (5.0 φ 3x0.34)
approx.215 g

DC 3 wire 10-30V NPN N.O.
DC 3 wire 10-30V NPN N.C.
DC 3 wire 10-30V PNP N.O.
DC 3 wire 10-30V PNP N.C.
DC 3 wire 10-55V NPN N.O.
DC 3 wire 10-55V NPN N.C.
DC 3 wire 10-55V PNP N.O.
DC 3 wire 10-55V PNP N.C.
DC 3 wire 5-36 V NPN N.O.
DC 3 wire 5-36 V NPN N.C.
DC 3 wire 5-36 V PNP N.O.
DC 3 wire 5-36 V PNP N.C.

IBS-M3010N-A1VS2	1*	IBN-M3015N-A1VS2
IBS-M3010N-B1VS2	2	IBN-M3015N-B1VS2
IBS-M3010P-A1VS2	3	IBN-M3015P-A1VS2
IBS-M3010P-B1VS2	4	IBN-M3015P-B1VS2
IBS-M3010N-A3VS2	1	IBN-M3015N-A3VS2
IBS-M3010N-B3VS2	2	IBN-M3015N-B3VS2
IBS-M3010P-A3VS2	3	IBN-M3015P-A3VS2
IBS-M3010P-B3VS2	4	IBN-M3015P-B3VS2
IBS-M3010N-A2VS2	1	IBN-M3015N-A2VS2
IBS-M3010N-B2VS2	2	IBN-M3015N-B2VS2
IBS-M3010P-A2VS2	3	IBN-M3015P-A2VS2
IBS-M3010P-B2VS2	4	IBN-M3015P-B2VS2

IBS-M3010N-A1VN2	1*	IBN-M3015N-A1VN2
IBS-M3010N-B1VN2	2	IBN-M3015N-B1VN2
IBS-M3010P-A1VN2	3	IBN-M3015P-A1VN2
IBS-M3010P-B1VN2	4	IBN-M3015P-B1VN2
IBS-M3010N-A3VN2	1	IBN-M3015N-A3VN2
IBS-M3010N-B3VN2	2	IBN-M3015N-B3VN2
IBS-M3010P-A3VN2	3	IBN-M3015P-A3VN2
IBS-M3010P-B3VN2	4	IBN-M3015P-B3VN2
IBS-M3010N-A2VN2	1	IBN-M3015N-A2VN2
IBS-M3010N-B2VN2	2	IBN-M3015N-B2VN2
IBS-M3010P-A2VN2	3	IBN-M3015P-A2VN2
IBS-M3010P-B2VN2	4	IBN-M3015P-B2VN2

\* Wiring diagram number. Please see the relevant wiring diagram shown on Page 013 and Page 014.

# METAL BARREL INDUCTIVE PROXIMITY SENSOR (10-30VDC/10-55VDC/5-36VDC)

Diameter
● Shielded    ○ non-Shielded
Switching Distance, Sn: mm
Housing Material
● With LED    ○ Without LED

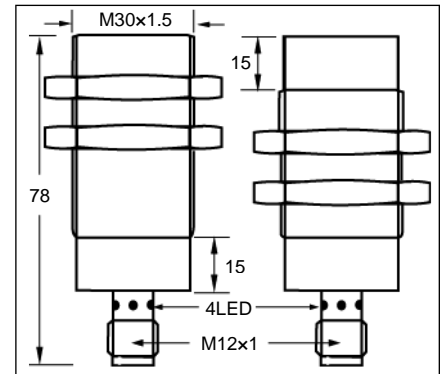
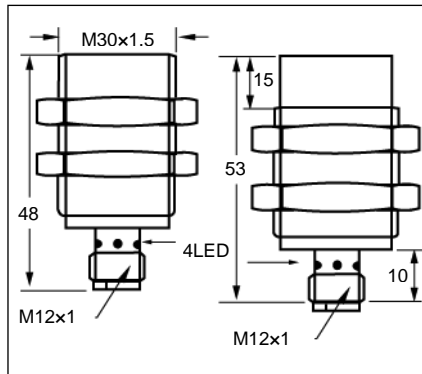
M30	
●	○
10 mm	15 mm
Nickel plated brass	
●	

M30	
●	○
10 mm	15 mm
Nickel plated brass	
●	

Picture



Dimensions (unit: mm)



Ripple
No Load Current
Max. Load current
Leakage Current
Voltage Drop
Switching Frequency
Response Time
Switching Hysteresis
Repeat Accuracy
Protection Category
Operating Temperature
Temperature Drift
Short Circuit Protection
Overload Trip Point
Material Active Face

<10%
<10mA
200mA
<0.01mA
<1.5V
300Hz    150Hz
0.5ms/0.5ms    1ms/1ms
<15%(Sr)
<1.0%(Sr)
IP67
-25°C - +70°C
<10%(Sr)
Yes
220mA
PBT

<10%
<10mA
200mA
<0.01mA
<1.5V
300Hz    150Hz
0.5ms/0.5ms    1ms/1ms
<15%(Sr)
<1.0%(Sr)
IP67
-25°C - +70°C
<10%(Sr)
Yes
220mA
PBT

Connecting type
Weight

M12 connector
approx. 120 g

M12 connector
approx. 185 g

DC 3 wire 10-30V NPN N.O.
DC 3 wire 10-30V NPN N.C.
DC 3 wire 10-30V PNP N.O.
DC 3 wire 10-30V PNP N.C.
DC 3 wire 10-55V NPN N.O.
DC 3 wire 10-55V NPN N.C.
DC 3 wire 10-55V PNP N.O.
DC 3 wire 10-55V PNP N.C.
DC 3 wire 5-36 V NPN N.O.
DC 3 wire 5-36 V NPN N.C.
DC 3 wire 5-36 V PNP N.O.
DC 3 wire 5-36 V PNP N.C.

IBS-M3010N-A1ES4	1*	IBN-M3015N-A1ES4
IBS-M3010N-B1ES4	2	IBN-M3015N-B1ES4
IBS-M3010P-A1ES4	3	IBN-M3015P-A1ES4
IBS-M3010P-B1ES4	4	IBN-M3015P-B1ES4
IBS-M3010N-A3ES4	1	IBN-M3015N-A3ES4
IBS-M3010N-B3ES4	2	IBN-M3015N-B3ES4
IBS-M3010P-A3ES4	3	IBN-M3015P-A3ES4
IBS-M3010P-B3ES4	4	IBN-M3015P-B3ES4
IBS-M3010N-A2ES4	1	IBN-M3015N-A2ES4
IBS-M3010N-B2ES4	2	IBN-M3015N-B2ES4
IBS-M3010P-A2ES4	3	IBN-M3015P-A2ES4
IBS-M3010P-B2ES4	4	IBN-M3015P-B2ES4

IBS-M3010N-A1EN4	1*	IBN-M3015N-A1EN4
IBS-M3010N-B1EN4	2	IBN-M3015N-B1EN4
IBS-M3010P-A1EN4	3	IBN-M3015P-A1EN4
IBS-M3010P-B1EN4	4	IBN-M3015P-B1EN4
IBS-M3010N-A3EN4	1	IBN-M3015N-A3EN4
IBS-M3010N-B3EN4	2	IBN-M3015N-B3EN4
IBS-M3010P-A3EN4	3	IBN-M3015P-A3EN4
IBS-M3010P-B3EN4	4	IBN-M3015P-B3EN4
IBS-M3010N-A2EN4	1	IBN-M3015N-A2EN4
IBS-M3010N-B2EN4	2	IBN-M3015N-B2EN4
IBS-M3010P-A2EN4	3	IBN-M3015P-A2EN4
IBS-M3010P-B2EN4	4	IBN-M3015P-B2EN4

\* Wiring diagram number. Please see the relevant wiring diagram shown on Page 013 to Page 015.